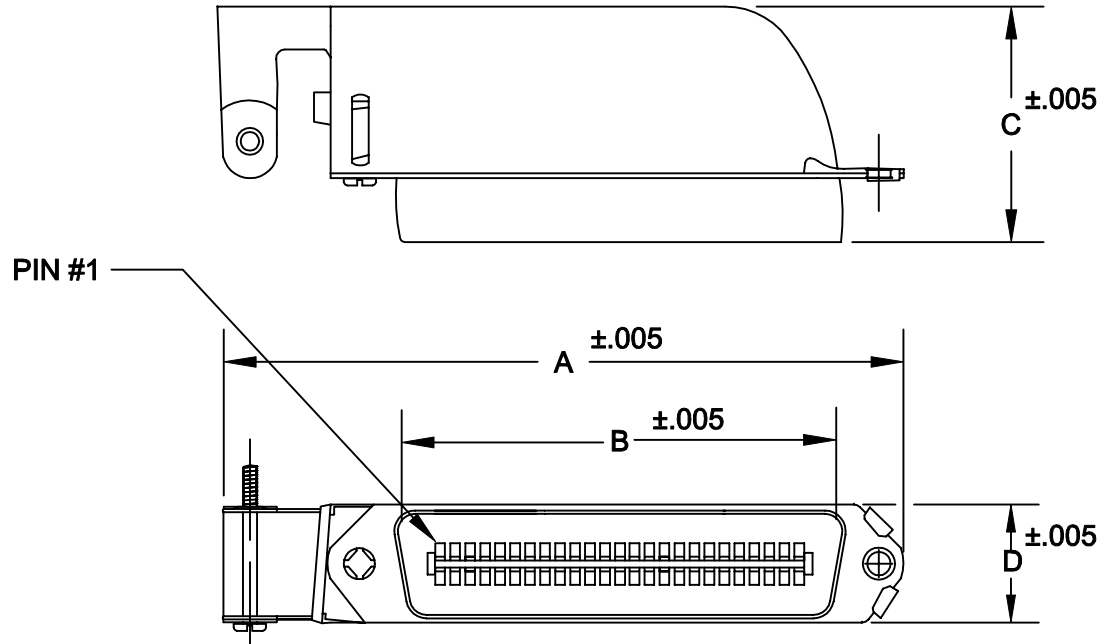


DESCRIPTION: SCSI 1 MALE RIGHT ANGLE CONNECTOR/BACKSHELL KIT

A B C D

36	DISCONTINUED			
50	3.780	2.538	1.325	.646
	96.00	64.47	33.65	16.40



**KIT INCLUDES:**  
**SOLDER CUP CONNECTOR**  
**BACKSHELL/HARDWARE**

112-XXX-103-011

SERIES \_\_\_\_\_  
POSITIONS \_\_\_\_\_  
050 \_\_\_\_\_  
GENDER \_\_\_\_\_  
1 = MALE \_\_\_\_\_  
TERMINATION \_\_\_\_\_  
0 = SOLDER CUP \_\_\_\_\_  
SHELL PLATING \_\_\_\_\_  
3 = NICKEL \_\_\_\_\_  
HARDWARE OPTIONS \_\_\_\_\_  
01 = PIN #1 AT CABLE ENTRY \_\_\_\_\_  
PLATING OPTIONS \_\_\_\_\_  
01 = GOLD FLASH \_\_\_\_\_

**MATERIALS:**

INSULATOR: GLASS-FILLED THERMOPLASTIC  
UL RATED 94V-0

CONTACTS: COPPER ALLOY


SHELL: STEEL, NICKEL PLATED

CONTACT PLATING:  
GOLD PLATED

**ELECTRICALS:**

CONTACT CURRENT RATING: 5 AMPS  
DIELECTRIC WITHSTANDING VOLTAGE: AC 1200 R.M.S.  
INSULATION RESISTANCE: 1000 mohms MINIMUM AT 500V DC  
CONTACT RESISTANCE: 30 mOHMS MAXIMUM  
OPERATING TEMPERATURE: -55°C TO +125°C

**NOTE: PLEASE NOTE ORIENTATION OF CONNECTOR IN REGARDS TO CABLE ENTRY.**

	THESE DRAWINGS AND SPECIFICATIONS ARE THE PROPERTY OF NorComp AND SHALL NOT BE REPRODUCED, COPIED OR USED AS THE BASIS FOR THE MANUFACTURE OF SALE OF APPARATUS WITHOUT WRITTEN PERMISSION.		DRAWN: <b>WAYNE ROBBINS</b>	DATE: <b>9-25-98</b>
			CHECKED:	DATE:
<h1>NorComp</h1>		SCALE: 1:1	SHEET <b>1</b> OF <b>1</b>	REV <b>3</b>
		DWG NO. <b>112-XXX-103-011</b>		